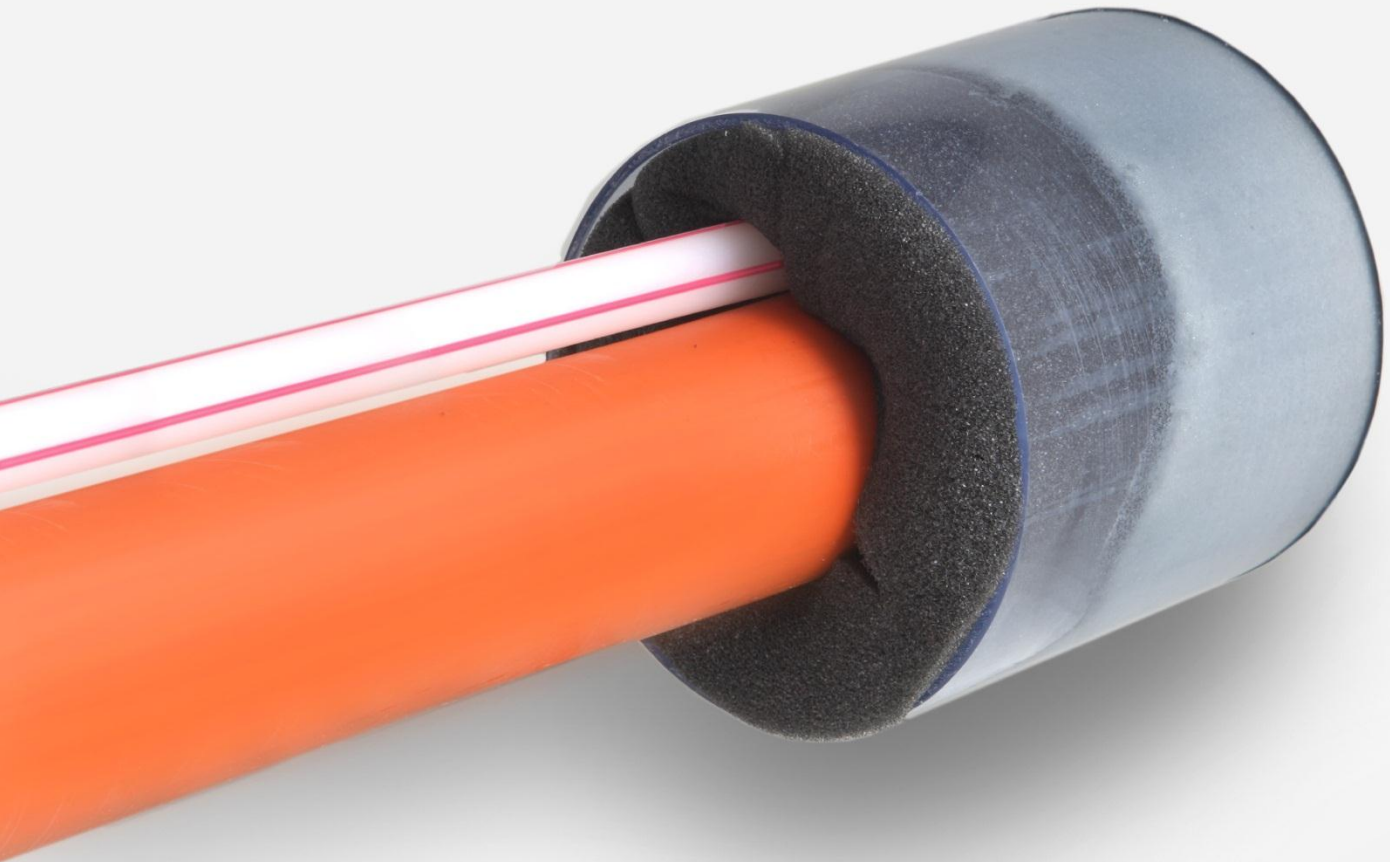
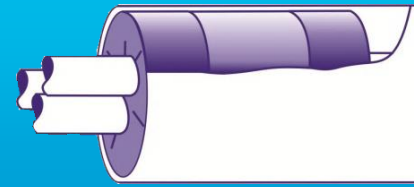


FILOform

MDIII



Filoform duct sealing systems have been developed to provide an effective gas and watertight seal of underground cable penetrations.

When installing our duct sealing system MDIII, you will protect valuables from damage which is caused by gas and water leaks.

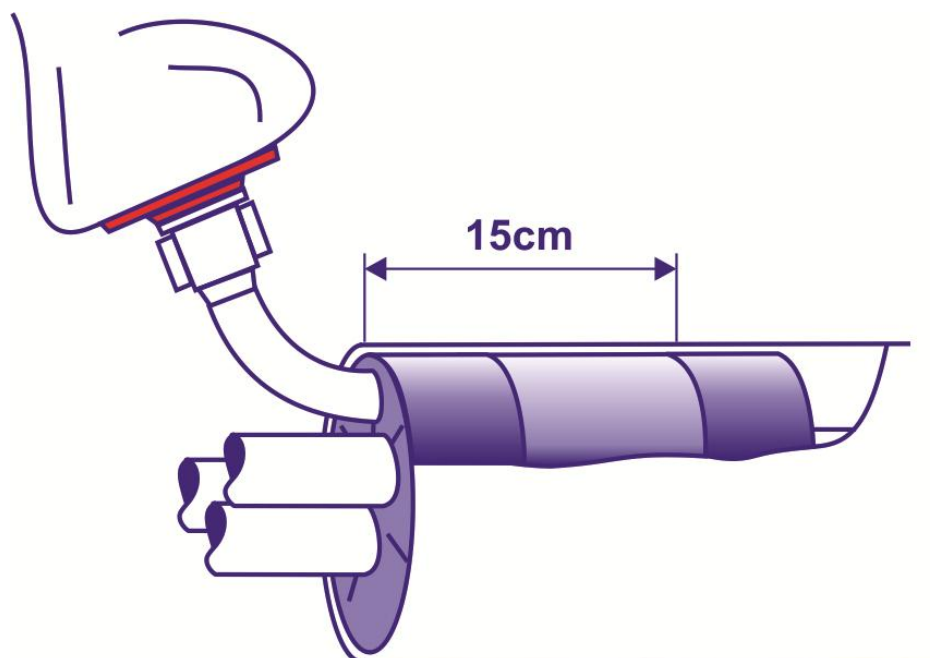
connect ▶ seal ▶ protect ▶



Filoform duct seals type MD are based on a specially formulated two-component expanding polyurethane resin. The polyurethane sealant is packed in a transparent plastic bag with a screw ring. In this plastic bag, the two components are separated by a clamping profile. After removal of the clamping profile, the two components are simply mixed together for 30 seconds.

The package is now ready for use and can be easily opened with the use of the screw nipple. After pouring the resin in the duct, the resin starts expanding by forming CO². During the expansion the polyurethane filling material penetrates all areas inside the duct, thus sealing all openings regardless of the shape of the duct or borehole. After this the hardening process starts.

The Filoform two component filler provides not only a 100% gas and watertight seal but also offers excellent mechanical strength.



connect ▶ seal ▶ protect ▶

Duct sealing system type MD III is designed for sealing cable and pipe penetrations in conduits or duct openings that are tightly positioned against each other.

The MDIII systems has two circular foam flanges that creates a chamber where our specially formulated expanding polyurethane resin can easily be injected due to the convenient and safe to use twin pack with screw nipple and filling tube. The polyurethane resin will expand and thus create a gas and watertight seal.

The MDIII system is suitable in situations where more than one cable or pipe is in the duct. The opening of the duct does not need to be completely round.

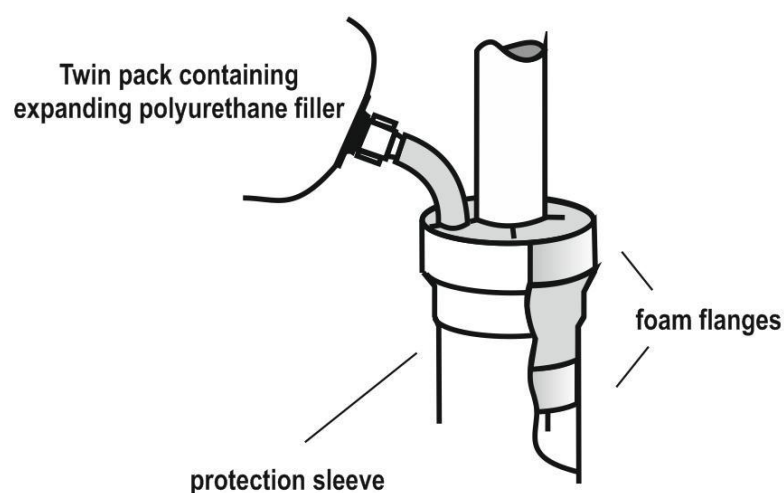
Seals all known materials: PVC & PE sheeted cables, PILC cables, (HD)PE pipes, PE drink water conduits.



connect ▶ seal ▶ protect ▶

Product overview

| Part Number | Description | Maximum duct diameter (mm) | Maximum cable / pipe diameter in the duct (mm) |
|-------------|----------------------------|----------------------------|--|
| 280291 | MDIII-25 duct sealing kit | max. Ø 25 | max. Ø 8 |
| 282550 | MDIII-50 duct sealing kit | max. Ø 50 | max. Ø 20 |
| 282575 | MDIII-75 duct sealing kit | max. Ø 75 | max. Ø 40 |
| 280295 | MDIII-110 duct sealing kit | max. Ø 110 | max. Ø 80 |
| 280296 | MDIII-160 duct sealing kit | max. Ø 160 | max. Ø 130 |
| 2802973 | MDIII-200 duct sealing kit | max. Ø 200 | max. Ø 160 |
| 2802974 | MDIII-220 duct sealing kit | max. Ø 220 | max. Ø 190 |
| 2802978 | MDIII-250 duct sealing kit | max. Ø 250 | max. Ø 220 |



Set contents

- ▶ 2 foam flanges
- ▶ Self-adhesive foam strips
- ▶ Expanding polyurethane filler
- ▶ Screw nipple with filling tube
- ▶ Set protective gloves
- ▶ Sandpaper
- ▶ Installation instructions

connect ▶ seal ▶ protect ▶

Specifications

| Properties | Unit | Value |
|--------------------------------------|-----------------------------------|----------------|
| Start time expansion | seconds | > 95 |
| End time expansion | minutes | 15 |
| Compressive strength | N / cm ² | > 100 |
| Gas and water tightness 1,0bar | 30 days | no leakage |
| Density 10m water column | 30 days | no leakage |
| Volume consistency | cube 10 x 10cm | no change |
| temperature Cycles, -20°C tot +40°C | 10 consecutive cycles | no leakage |
| Vibration test 10 Hz/amplitude 3mm | 240 hours | no leakage |
| axial tensile force | diameter x 10 N | no leakage |
| Resistance to bending | cables 45° in 2 directions >250mm | no leakage |
| Expansion polyurethane foam in pipe | cm | < 40 |
| Chemical resistance | | |
| 0,1N Na ₂ SO ₄ | 30 days | no degradation |
| 0,1N NaCl | 30 days | no degradation |
| 0,1N H ₂ SO ₄ | 30 days | no degradation |
| 0,1N NaOH | 30 days | no degradation |
| Diesel | 30 days | no degradation |
| Gasonline | 30 days | no degradation |
| Resistance | | |
| Molds | | good |
| Rodents | | good |
| Shelf life | months | minimal 18 |

Installation video



<https://vimeo.com/39628394>

connect ▶ seal ▶ protect ▶